

S.C. Kubitech S.R.L.  
700268 Iași, Bd. Socola 57, bl. A1, RO 8508803, J22/874/1996  
T/F: 0232 257.555, contact@kubitech.ro, www.kubitech.ro  
RO39 BPOS 2400 2831 438R OL01 - Bancpost Iași



**Kubitech**  
tehnică de frig

**CARLY**

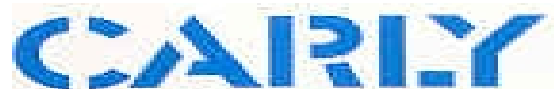
## Separatoare ulei TURBOIL

Model	Conexiune sudabil mm	Volum int. litri	Pmax bar
<b>Capsulat</b>			
1503 MMS	10	1,72	31
1504 MMS	12	1,86	31
2505 MMS	16	1,97	31
3006 MMS	18	2,12	31
3007 MMS	22	2,32	31
3009 MMS	28	2,52	31
4007 MMS	22	2,52	31
6009 MMS	28	2,85	31
3011 MMS	35	3,25	31
6011 MMS	35	3,61	31
7011 MMS	35	4,30	31
3013 MMS	42	4,30	27
8013 MMS	42	5,60	27
9017 MMS	54	5,60	27
<b>Cu flansa</b>			
FT 15013 MMS	42	11,50	27

FT 15017 S/MMS	54	13,10	27
FT 15021 MMS	67	13,10	27
FT 30025 MMS	80	13,10	27

Presiune maxima de lucru: 31bar pentru modelele 1503MMS...7011MMS

27 bar pentru modelele 3013MMS...FT300025MMS



## Butelie acumulare ulei

Model	pres. max. (bar)	Capacitate
HCYR 40	20	3,9
HCYR 80	26	7,4
HCYRT 81	31,5	7,4
HCYRT 120	26	12,0
HCYRT 121	31,5	11,2
HCYRT 200	26	20,0
HCYRT 300	26	30,0

## Supapa diferential ulei

Model	Diferenta presiune ulei
HCYCT 1	0,35
HCYCT 3	1,4

## Filtru ulei

Model	filet SAE	Suprafata cm2	Diam/Lungime mm/mm
HCYF 52	1/4"	40	54/108
HCYF 53	3/8"	70	54/127
HCYF 83	3/8"	121	93/140
HCYF 84	1/2"	121	93/144

Presiune maxima de lucru: 35bar

## *ESK Schultze*

## Separatoare ulei

Model	Conexiune sudabil mm	Volum int. litri	Pmax bar
<b>Executie inchisa</b>			
OS-10	10	0,40	28

OS-1012	12	0,40	28
OS-16	16	0,60	28
OS-18	18	0,60	28
OS-22	22	0,60	28
OS-28	28	0,60	28
OS-35	35	0,60	28
OS-42	42	0,60	28
OS-22H	22	1,20	28
OS-28H	28	1,20	28
OS-35H	35	1,20	28
OS-42H	42	1,20	28
OS-54H	54	1,20	28
<b>Executie cu flansa</b>			
OS-22F	22	3,70	28
OS-28F	28	3,70	28
OS-35F	35	3,70	28
OS-42F	42	3,70	28
OS-42FL	42	7,5	25
OS-54/42FM	42	9,5	21
OS-54FM	54	9,5	21
<b>Executie cu flansa</b>			
OS-54/42FH	42	11,5	25
OS-54FH	54	11,5	25
OS-67/42FH	42	18,9	25
OS-67/54FH	54	18,9	25
OS-67/64FH	64	18,9	25
OS-67FH	67	18,9	25
OS-80/76FH	76	18,9	25
OS-80FH	89	18,9	25
<b>Executie cu flansa</b>			
OS-104/54V	54	40	25

OS-104/6V	67	40	25
OS-104/54V	80	40	25
OS-104/54V	89	40	25
OS-104/54V	104	40	25

Temperatura maxima de lucru: +100°C

## *ESK Schultze*

### **Butelie acumulare ulei**

<b>Model</b>	<b>pres. max. (bar)</b>	<b>Capacitate</b>
OSA- 1.5	28	1,5
OSA- 7.5	25	7,5
OSA- 11.5	17	11,5
OSA- 18.0	25	18,0
OSA- 40.0	25	40,0

### **Supapa diferential ulei**

<b>Model</b>	<b>diferenta presiune ulei</b>
RV-10B/0.1	0.1 bar
RV-10B/1.5	1.5 bar

## Filtru ulei

Model	filet	Diam/Lungime (mm/mm)
F - 6 B	1/4"	77/74
F - 10 B	3/8"	77/82
F - 12 B	1/2"	77/88
F - 16 B	5/8"	77/94
F - 18 B	3/4"	77/104
F - 10 L	10mm	77/70
F - 12 L	12mm	77/84
F - 16 L	16mm	77/88
F - 18 L	18mm	77/94
F- 22 L	22mm	77/106

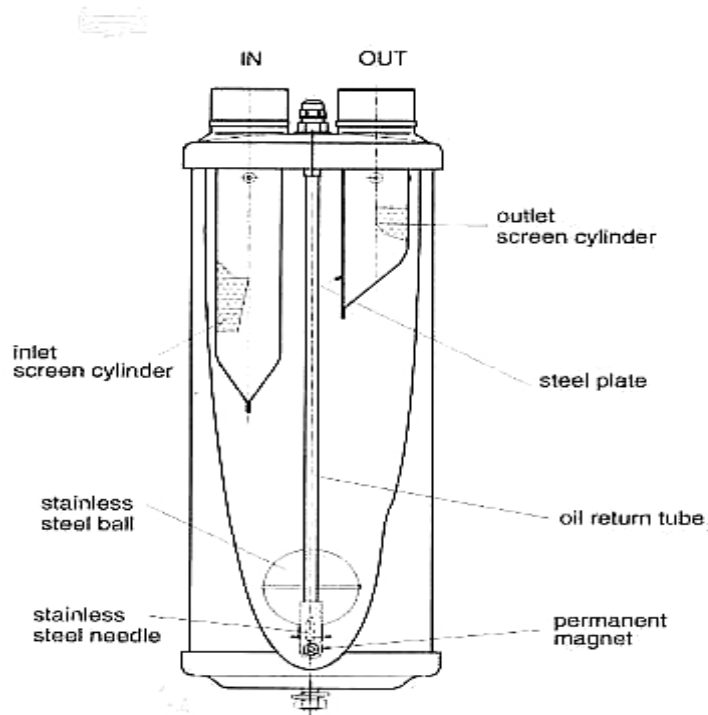
Temperatura maxima a mediului: +130°C

Presiunea maxima de lucru: 28 bar

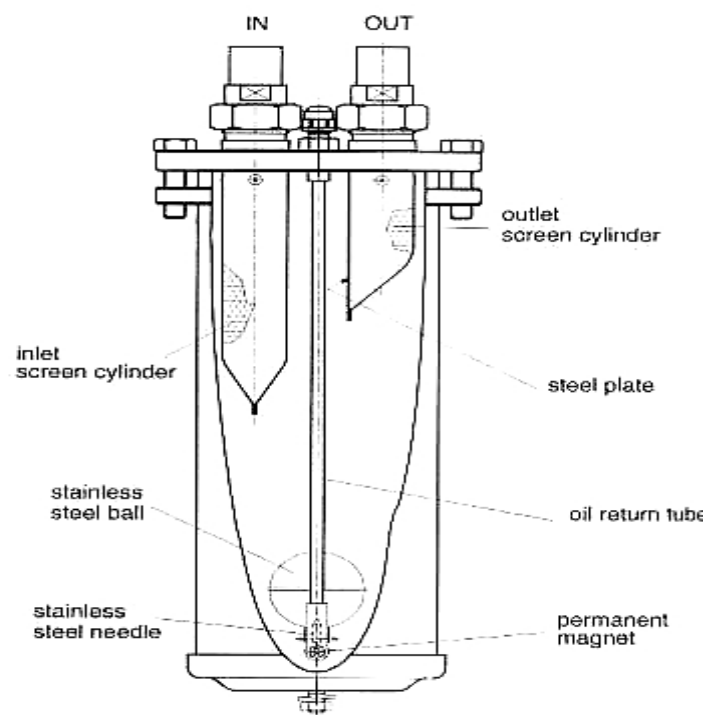


## Separatoare de ulei

Model	Conexiuni	Conexiuni sudabile		Conexiune ulei	P <sub>max</sub> dif bar	Temp. °C		P <sub>max</sub> bar	Diam. mm	Inalt mm					
		toli	mm			min.	max.								
5540/4	-	1/2"	-	1/4" SAE	21	-10	130	32	123	297,5					
5540/5		5/8"	16							384,5					
5540/7		7/8"	-							445,5					
5540/9		1 1/8"	-							488,5					
5540/11		1 3/8"	35	3/8" SAE						21	-10	130	32	###	498,5
5540/13		1 5/8"	-												488,5
5540/M42		-	42												498,5
5540/17		2 1/8"	54												
5520/C	5590/5	5/8"	16	1/4" SAE	21	-10	130	32	123						417,5
	5590/7	7/8"	-												478,5
5520/D	5590/9	1 1/8"	-												478,5
	5590/11	1 3/8"	35												503,5
5520/E	5590/13	1 5/8"	-							503,5					
	5590/M42	-	42												



5540



5520